



MINGRONG

Professional Manufacturer for High & Low Voltage Fuses and Fusegears Combined Electrical Appliance

Product Center

>> Home / Product Center / Square Pipe Fuse Links With Knife Contacts



Parameter Feature Outline Curve

Table 4 (cont.)

Cat. No.	Models		Cross-reference		Rated voltage (V)	Rated current (A)	Dimensions/size (mm)					Weight (g)		
	MIRO		gG(Normal)	aR(Fast)			Fig.	A	B	C	D		H	
0402	NH00	RS31	-	3NE80... NGTC00	500/690	10~160	00	4.2	78	50.5	15	30	60	201
0403	NH0	-	-	-	500/690	6~160	0	4.2	125	67	15	30	60	267

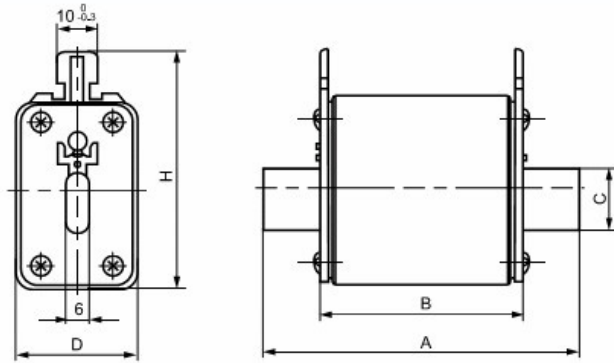


Figure 4.2



浙江明融电气 4008187000

INQUIRY
400-800-9662

About Mingrong

- Company Profile
- Development
- Organization
- President address

News and media

- Company news
- Enterprise video
- Exhibition information

Products and Services

- Fuse links
- Bole connected fuse links
- Fuse bases
- Fuse alarms
- Fuse carriers
- Combinating electric of fuse
- Automobile Fuse
- High voltage fuse

Support

- Customer Service Center
- Customer complaints
- Marketing network
- Technical FAQ
- Download

Jobs

- Talent concept
- Recruitment information
- Recruitment line

Contact Us

- Regions
- Contact
- Sitemap

